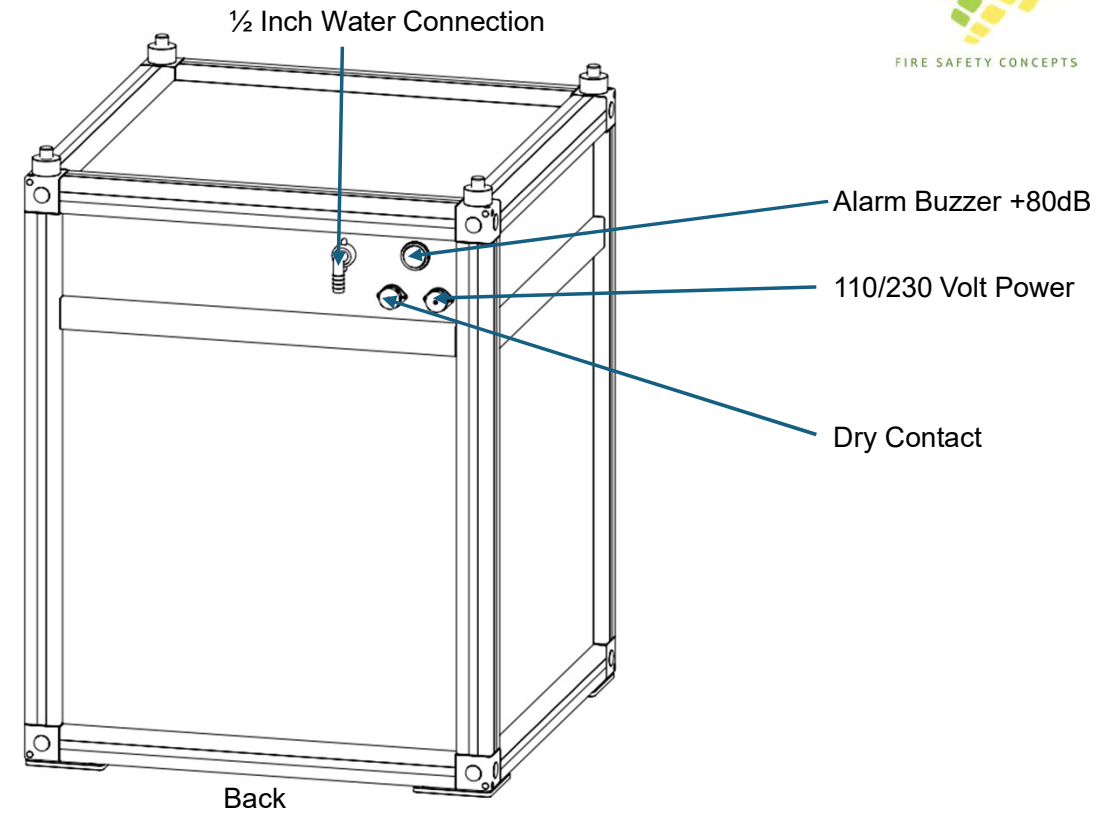
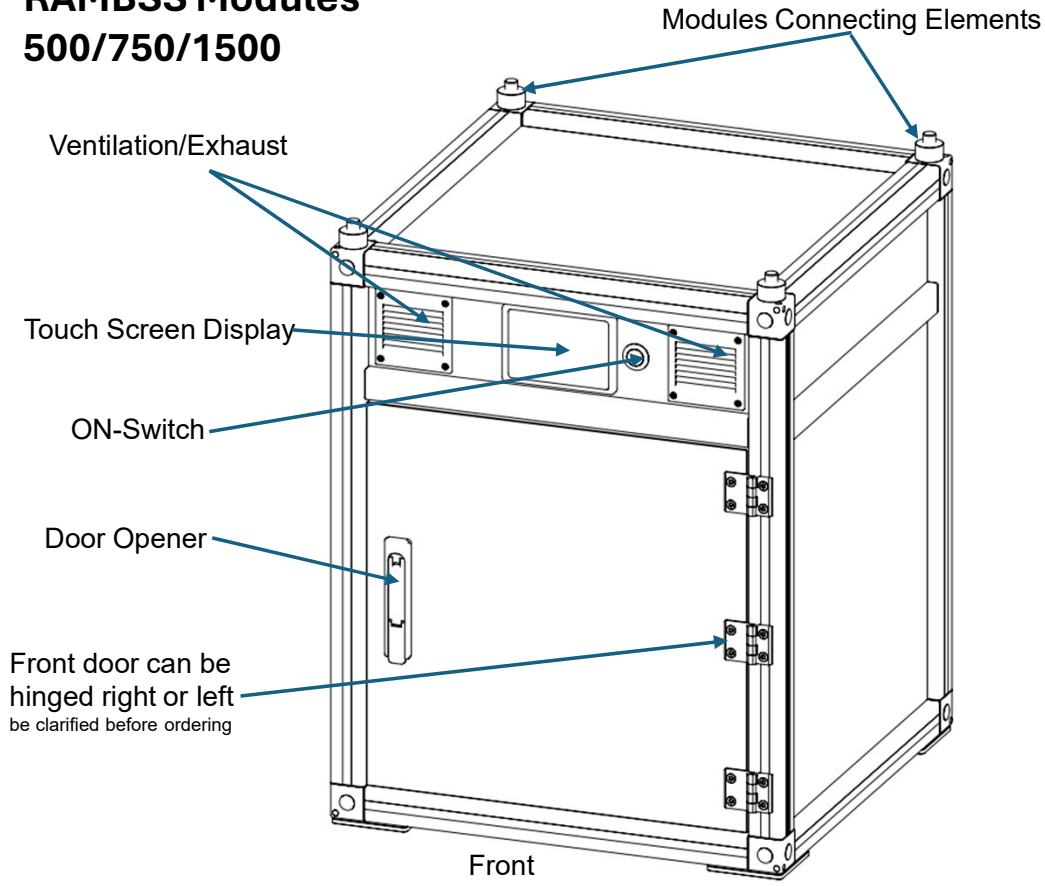


# RAMBSS Modules 500/750/1500

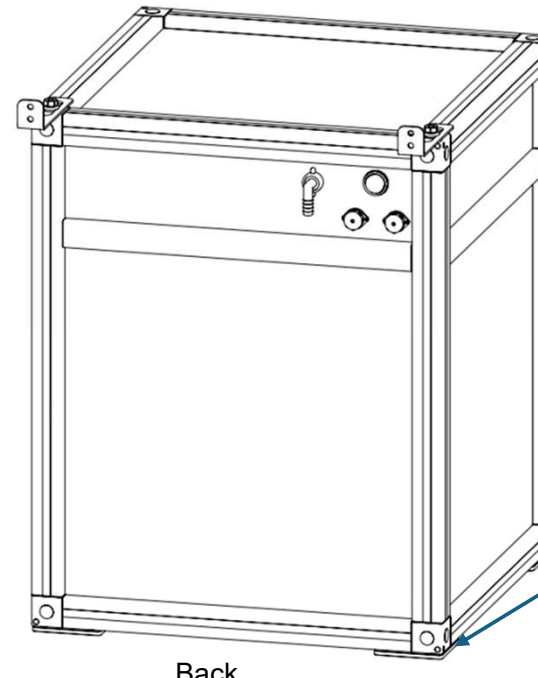
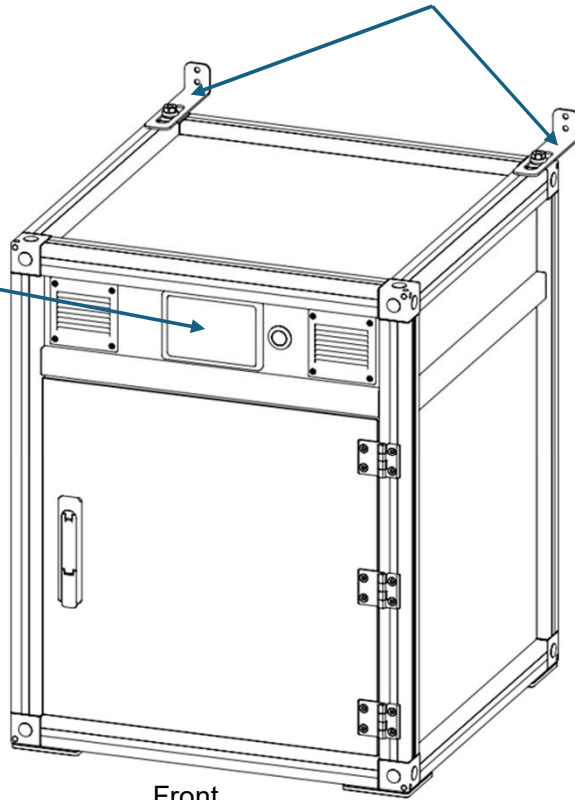
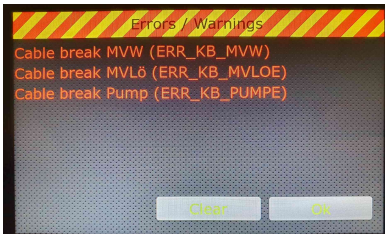
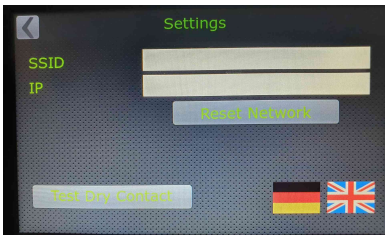


Module 500: 600 x 600 x 500 mm (inside 550 x 550 x 300 mm) / Module 750: 600 x 600 x 750 mm (inside 550 x 550 x 500 mm) / Module 1500: 600 x 600 x 1520 mm (inside 550 x 550 x 1300 mm)  
 Designed for batteries up to 4,35 kWh (module 500) and 5,25 kWh (module 750/1500) plus charger / Integrated effective multi-nozzle extinguishing and cooling system / Three integrated thermal sensors / Remote control / Redundant electronics /  
 Integrated tank for the environmentally friendly „Trident“ extinguishing/cooling concentrate / External water connections allow interval extinguishing and cooling down of the battery cells to stop the chain reaction / Water-resistant OLED touchscreen monitor  
 Sabotage protection / Integrated attachment points to fix Seabobs, batteries, and chargers / Web-based communication on board and to every authorized person wherever an internet connection is available / LAN, Wi-Fi, dry contact connection  
 Particularly effective exhaust with multiple toxin filter systems. HF, explosive H2, and VOCs are filtered / Two integrated cooling ventilation work during charging and storing batteries / Waterproof housing / Emergency power supply for six weeks  
 Housing is made from explosion-proof and fire retarded multi-layer composite material, inside fire rate A1 (non-flammable material) / Explosion buffering system (REBS) / All modules are stackable.  
 Technical changes, deviations from the illustrations, and printing errors are reserved. 10.2024

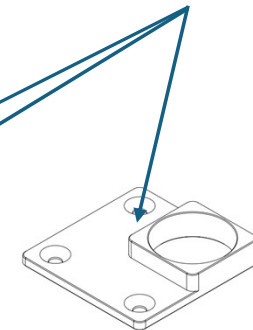
# RAMBSS Modules 500/750/1500

Wall Connecting Elements

Touch Screen Display



Floor Fixing Plates  
(gluing/screwing)



For the installation of the modules, at least 20 cm upwards and 10 cm backward are required.